

Elfin — 05 Collaborative Robot

Core Parameters

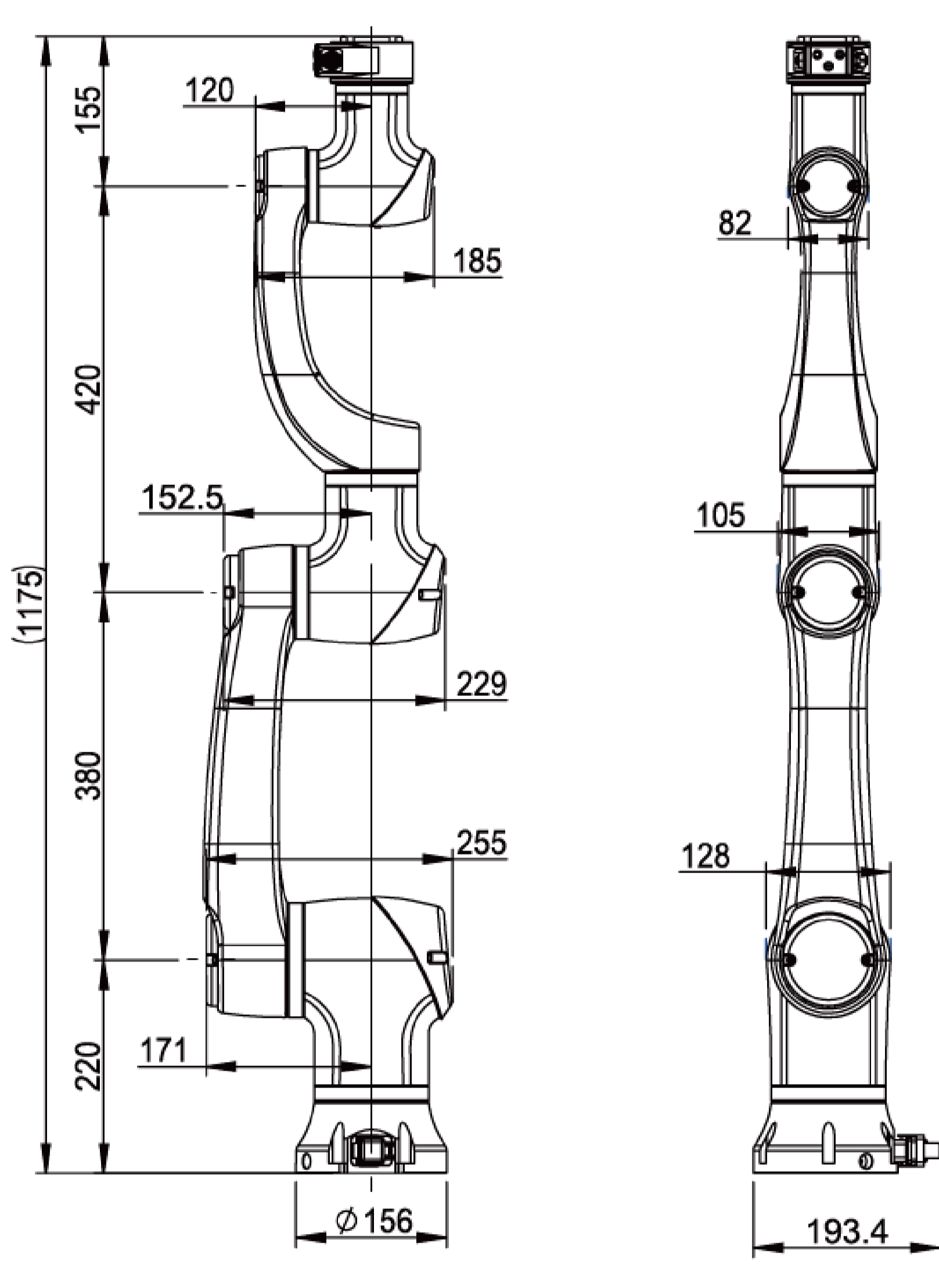


| Model | E05 |
|---------------|---------|
| Weight | 25kg |
| Payload | 5kg |
| Reach | 800mm |
| Joint range | ±360° |
| Tool speed | 2m/s |
| Repeatability | ±0.02mm |

Basic Parameters

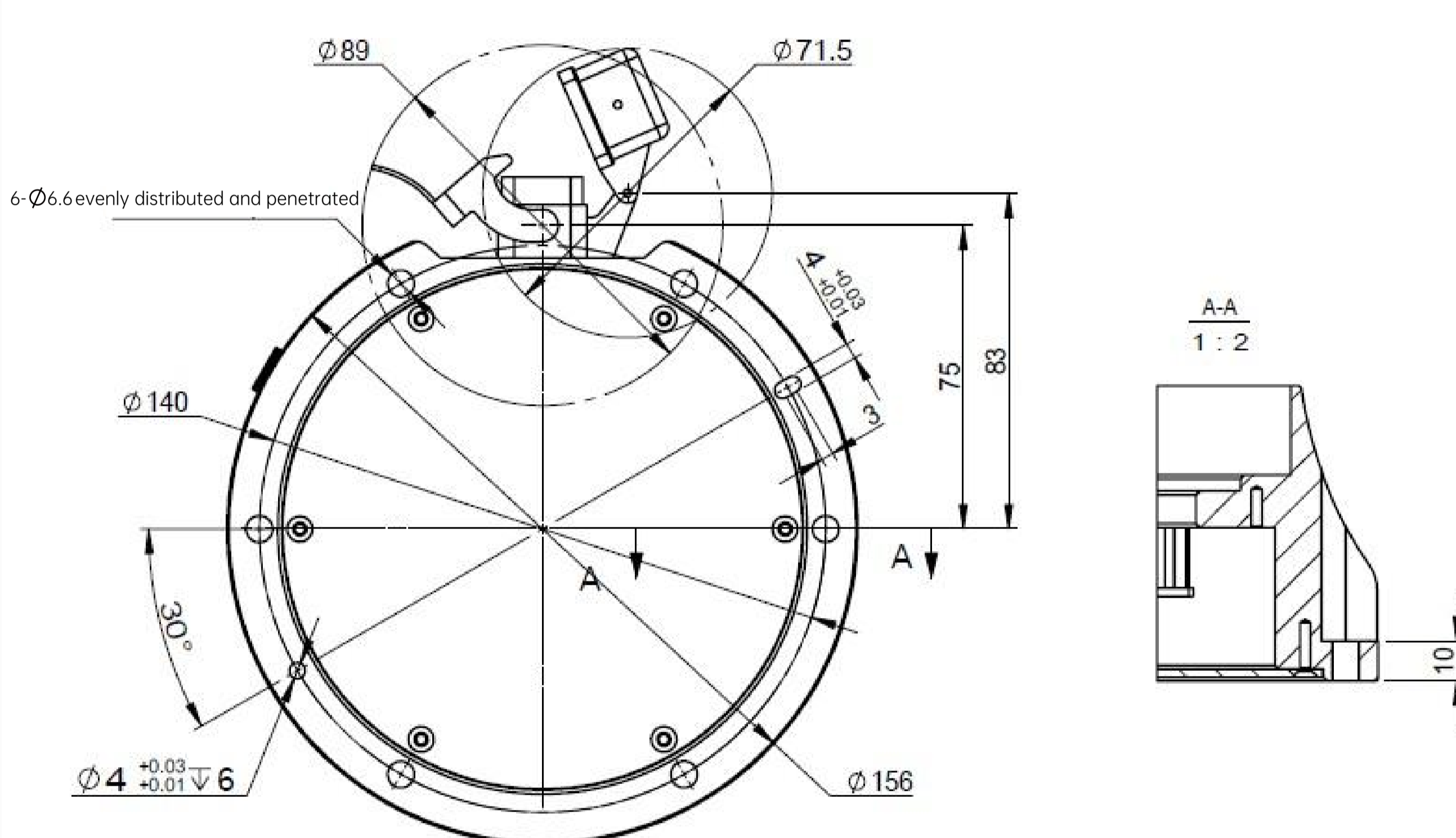
| Model | E05 |
|-------------------------|--|
| Power consumption | 180W typical application |
| Joint speed | J1-J4 180°/s J5-J6 200°/s |
| Degree of freedom | 6 |
| End I/O port | Digital input: 3, digital output: 3, analog input: 2 |
| Control box I/O port | Digital input: 16, digital output: 16, analog input: 2, analog output: 2 |
| I/O Source | 24V 2A |
| Communication | TCP/IP and Modbus |
| Programming | Graphical programming, remote call interface |
| IP classification | IP54 |
| Collaborative operation | 10 advanced security configuration functions |
| Main material | Aluminum alloy |
| Working temperature | 0-50°C |
| Power input | 200-240V AC, 50-60Hz |
| Cable | Cable to the control box: 5m; cable to the teach pendant: 5m |

Size Specification

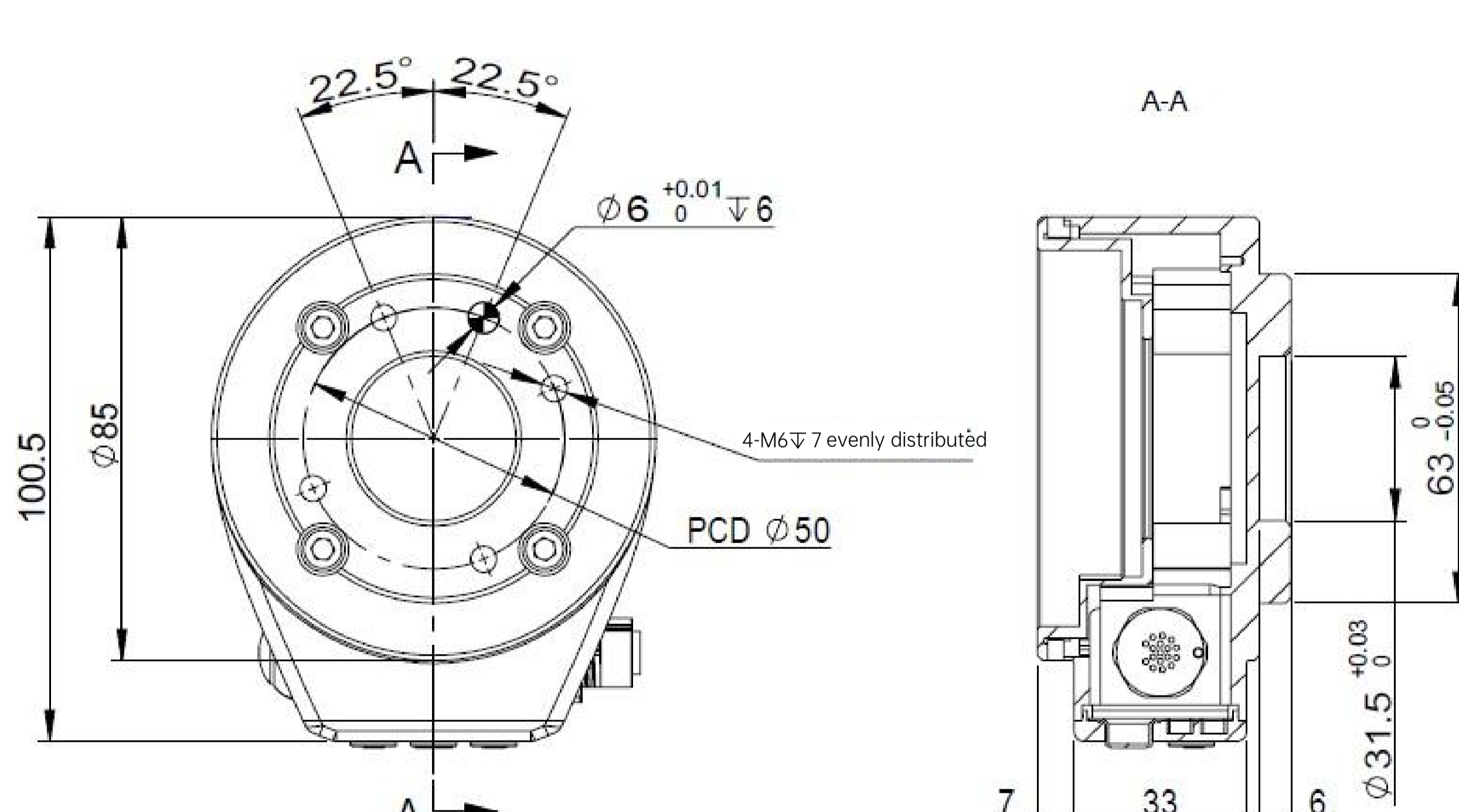


Elfin — 05 Size Specification

Installation Size



Elfin — 05 Base Installation Size



Elfin — 05 End Installation Size

Control box



Control box(standard)

| | |
|---------------------|--|
| Dimensions | 445.2mm x 318.8mm x (360+176)mm |
| Stand height | 176mm |
| Weight | 18.5kg |
| Power output | 48V DC |
| Working temperature | 0~50°C |
| Working Humidity | 90% relative humidity (non-condensing) |
| IP classification | IP20 |

Mini Control Box (Optional)

| | |
|-------------------|----------------------|
| Dimensions | 323x221x80(mm) |
| Power Input | DC30~60V |
| I/O Source | DC24V |
| I/O Port | Inputs 8 , Outputs 8 |
| IP Classification | IP20 |
| Communication | TCP/IP Modbus |

